



GVT-2000 Version: 1

## 10/100/1000BASE-T to 1000BASE-X SFP Converter

The GVT-2000 media converter is able to convert network signals between copper and fiber-optic based networks. The converter provides a SFP slot for 1000Base-X Gigabit optic module and a 10/100/1000Base-T RJ-45 port, supports full duplex and half duplex switch connectivity and 10Base-T, 100Base-TX and 1000Base-T auto-sensing.

The device features built-in Dip switches for easy converter configuration, which function on the Smart LFP (Link Fault Pass-through), allowing the converter to monitor both the fiber and copper ports for signal loss, as well as cut through and smart pass through mode.

The GVT-2000 is able to operate in temperatures from -10° up to 55° Celsius. The converter can be used as a standalone unit or as a slide-in module to the CHV-2000 19" converter rack, which can accommodate up to 14 units for use in a central wiring closet.



1. 1000Mbps SFP Slot
2. LED Indicators
3. 10/100/1000Mbps RJ-45 Port



4. DC Power Jack
5. Dip Switch

### Key Features

- Transfers data from 10/100/1000Base-T copper to fiber interfaces
- SFP slot supports pluggable Gigabit optic modules that enabling you to choose from a variety of transceiver
- 9K jumbo frames to increase data transfer rates
- Built-in LFP (Link Fault Pass-through) Technology
- IEEE 802.3x Flow Control protects against lost packets for reliable data transmission
- Dip switches for customized configuration
- Supports low-time lag transmission



- Supports the transmission of extra-long packets up to 1.6KB
- -10°C ~ 55°C operating temperature range

---

## Works Well With



**CVH-2000**  
14-Slot Media Converter Chassis



**GVT-2001**  
10/100/1000BASE-T to 1000BASE-SX MMF SC Converter, 550m

---

## Specifications

### System Specifications

#### Standards & Protocols:

IEEE 802.3 10-BASE-T, Ethernet  
IEEE 802.3u 100-BASE-TX, Fast Ethernet  
IEEE 802.3ab 1000BASE-T, Gigabit Ethernet  
IEEE 802.3x Flow Control (full-duplex flow control)  
IEEE802.3z 1000Base-SX/LX,

#### Connectors and Cabling:

Fiber SFP slot; RJ-45 Port CAT-5/5e Twisted Pair  
cable Auto MDI/MDI-X (Max to 100m) and Auto-Negotiation

#### Wavelength(nm):

depend on SFP module

#### Indicator:

PWR,TX (FDX, 100, 1000, Link/Act), FX Link/Act

#### Transmission Method:

Store and forward (Default)

#### Power:

DC 5V/2A

### Features

#### General:

DIP Switch 1: LFP function  
DIP Switch 2 and 3 performance 4 types work mode  
DIP Switch 2 and 3 is OFF = Store and forward  
DIP Switch 2 is OFF, 3 is ON = Cut through mode  
DIP Switch 2 is ON, 3 is OFF = Smart pass through  
DIP Switch 2 and 3 is ON = Pass through mode

### Performance

#### Operating Distance:

Depend on SFP Module

### Environment

Temperature (°C):  
 Storage: -40 ~75 °C  
 Operating: -10 ~ 55 °C  
 Humidity (Non-condensing):  
 5 ~ 90 %

## Physical Specifications

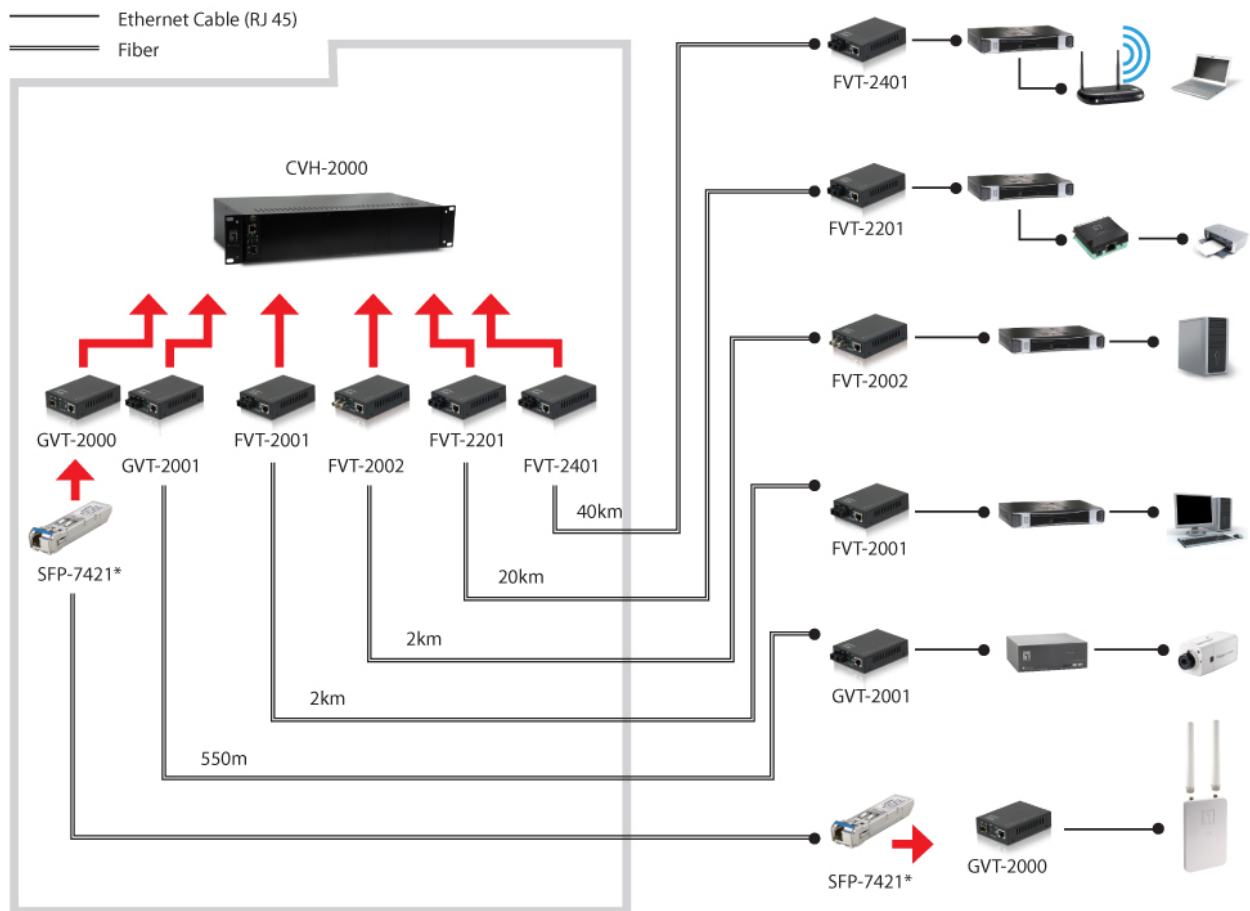
Dimensions (W x D x H mm):  
 71 x 94 x 26 mm  
 Weight (g):  
 420 g

## Others

Approval and Compliance:  
 CE, FCC  
 Deployment:  
 Desk, chassis mounted

## Diagram

### Dimension Diagram



\*In above example diagram, converter modules at local and remote ends should be paired for proper connectivity, and the distance mainly depends on cable and transceiver selection accordingly.



## Order Information

GVT-2000

---

## Package Contents

GVT-2000  
Power Adapter  
Quick Installation Guide

---

## Optional Accessory



**CVH-2000**  
14-Slot Media Converter Chassis

No liability or responsibility for any errors or omissions in the content.  
Specifications are subject to change without notice.  
All mentioned brand names are registered trademarks and property of their owners.  
Copyright © Digital Data Communications GmbH, Germany. All Rights Reserved.